

Specification Sheet

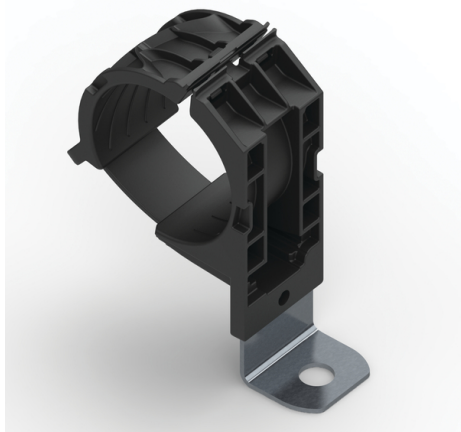
Part Number: 151-02877

One-piece ratchet closure design allows for easy installation during pre- or final assembly.

Easy release feature allows for quick adjustments and maintenance.

Steel mounting plate tolerates high torque mounting and is treated to resist chemicals and salt spray.

NFPA 130-compliant to streamline inspections.



Ratchet P-Clamp, 1.38 - 2.01" Bundle Dia, 90° Short, 0.33" Hole Dia, PA666V0/ST/ZN, Black, 160/ctn

Article Number 151-02877

Type RCD90SM8

Color Black (BK)

Quantity Per bag

Product Description

The Ratchet P-Clamp family offers versatility when managing wires, cables and hoses. The robust design and durable materials make it ideal for heavy duty applications, both indoors and out. The one-piece adjustable clamp can be closed by hand to the desired diameter. The release feature provides easy and nondestructive removal of cables simply by using a flat-head screwdriver. This nondestructive release allows the clamp to be reused without removing or replacing any bolts or screws. Low fire hazard material is designed specifically for rail applications.

Short Description	Ratchet P-Clamp, 1.38 - 2.01" Bundle Dia, 90° Short, 0.33" Hole Dia, PA666V0/ST/ZN, Black, 160/ctn
Global Part Name	RCD90SM8-PA666V0/ST/ZN-BK
Minimum Tensile Strength (Imperial)	100.0
Minimum Tensile Strength (Metric)	445
Length L (Imperial)	6.58
Length L (Metric)	167.2
Fixation Method	Screw Mounting
Variant	Short
Width W (Imperial)	1.37
Width W (Metric)	34.9
Bundle Diameter Min (Imperial)	1.42
Bundle Diameter Min (Metric)	36.0
Bundle Diameter Max (Imperial)	2.0
Bundle Diameter Max (Metric)	51.0
Mounting Hole Diameter D (Imperial)	0.33
Mounting Hole Diameter D (Metric)	8.4 mm

Stud Diameter (Metric)	M8
Mounting Hole Centers (Imperial)	2.62
Material	Polyamide 6.6/6, V0 (PA666V0) Steel (ST) Zinc plated (ZN)
Material Shortcut	ZN PA666V0 ST
Flammability	UL 94 V-0
Halogen Free	Yes
UV Resistant (Yes/No)	Yes
Operating Temperature	-40°F to +248°F (-40°C to +120°C)
Reach Compliant (Article 33)	Yes
ROHS Compliant	Yes
Certification/Specification	ASTM 1354 ASTM E 162 ASTM E 662 EN [45545-2]
Package Quantity (Imperial)	160
Package Quantity (Metric)	160
Customs Number	3926909988

About HellermannTyton

HellermannTyton is a global manufacturer of cable management and identification solutions for automotive, solar, electrical, construction, industrial automation, broadband and other OEM markets. The company's integrated approach to product design, sustainability, production, quality assurance and delivery is optimized to benefit local and global customers. HellermannTyton operates in 39 countries, with North American headquarters in Milwaukee, Wisconsin. (www.hellermann.tyton.com).

© 2023 HellermannTyton. All Rights Reserved.

[Contact Us](#)

[RoHS/WEEE Compliance](#)

[Disclaimer](#)

[Terms and Conditions](#)